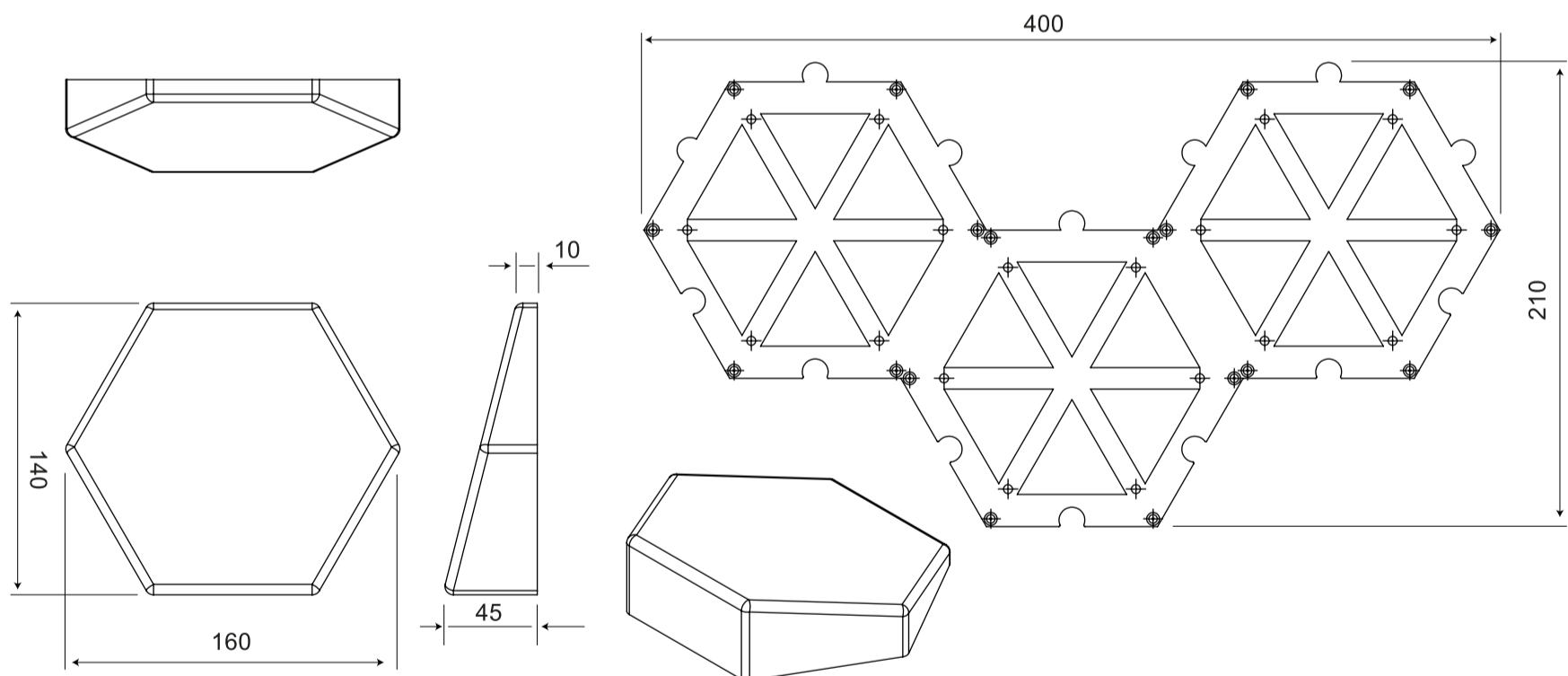


# VENUS

## Technical Data

Model No	DMR002
Thickness and Size	Material thickness 2 mm / Edge length 80 mm
Dimensions	Lowest point 10 mm, Highest point 45 mm
Weight	90 gr / Pcs- 4.860 kg/m <sup>2</sup>
Colours	All ral code colours are available
Finishes Available	Matt or glossy paints available
Material	Strengthen, light and strong copolymer
Suitabilty	Interior / Exterior use for walls and ceilings

All measurement units are in mm.



## General Performance Data



Flammability  
UL94 / V-0  
(Optional)



Surface Quality  
A1



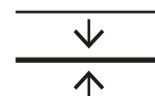
Flexural Strength  
ISO178 / 63MPa



Size Accuracy  
+/-0,05%



Temperature  
Resistance  
-40/+85 °C



Thickness  
Accuracy  
+/-0,005%